

INSTALLATION INSTRUCTIONS

2 PORT MOTOR ON / MOTOR OFF ACTUATORS

INSTALLATION INSTRUCTIONS

For qualified persons Only. Not to be left with user.

INSTALLATION

- (1) Select location which is reasonably clean and has adequate access for fitting and wiring motor. Minimum clearance from wall to centre of valve body 45mm 1³/₄". Maximum temperature of water 93°C. Minimum 2°C. Ambient temperature must not exceed 52°C. Motor actuator must not be mounted underneath the valve body.
- (2) Install valve as follows:
 - (A) Remove all protective materials from valve.
 - (B) Remove all foreign matter.
 - (C) Fit valve to pipework using the minimum quantity of joining materials. Make sure valve body is only gripped by the ribbed ends when installing. Do not cover valve with thermal insulation. Do not interrupt earth continuity of piping.
- (3) Flushing of system.
Before fitting the motor unit to the valve, the valve spindle must be turned to the mid position and the complete system flushed out and drained to remove any foreign material in the water. The system should be filled with water and corrosion inhibitor added, if required.
- (4) Fit actuator to valve as follows:
 - (A) Fit actuator to valve ensuring tongue on valve spindle engages with slot in plastic coupling on motor.
 - (B) If installing to a new valve, use shoulder screws provided with the valve.
 - (C) If installing to an existing valve, retain the screws and use these to secure the actuator to the valve.

Note: Shoulder screws permit axial movement between actuator and valve.

WARNING - THIS CONTROL MUST BE EARTHED

Interference with seated parts renders guarantee void. Class A' disconnection providing electrical isolation for all live parts behind the disconnection, must be incorporated in the fixed wiring. Valves are not suitable for use on mains water supply. The valve and actuator should be in an easily accessible position for any possible maintenance. It is recommended that valves and actuators be checked during regular annual heating maintenance.

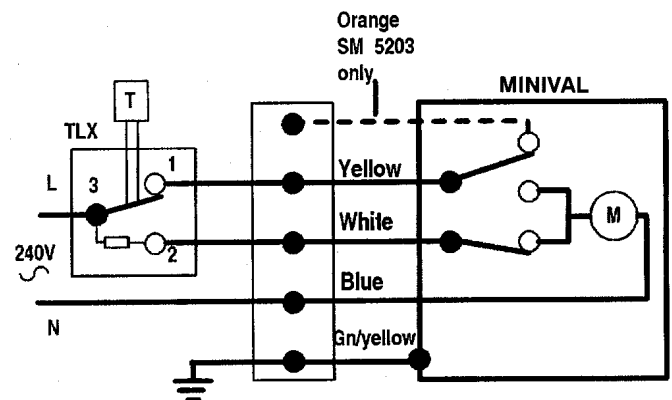
This product complies with the essential requirements of the following EC directives:
 Electro-magnetic compatibility directive EMC 89/336/EEC (as amended by 91/263/EEC and 92/31 EEC)
 Low voltage directive LVD 73/23/EEC; 93/68/EEC

SM 5201 SM 5203 SM 5205 SMV 2217

Supply on White closes valve (terminal 2 on TLX)
 Supply on Yellow opens valve (terminal 1 on TLX)
 Note: Orange wire of 5-wire model provides live supply for other equipment when valve is open;
 Maximum current 3(1.3)A SM 5203 only.

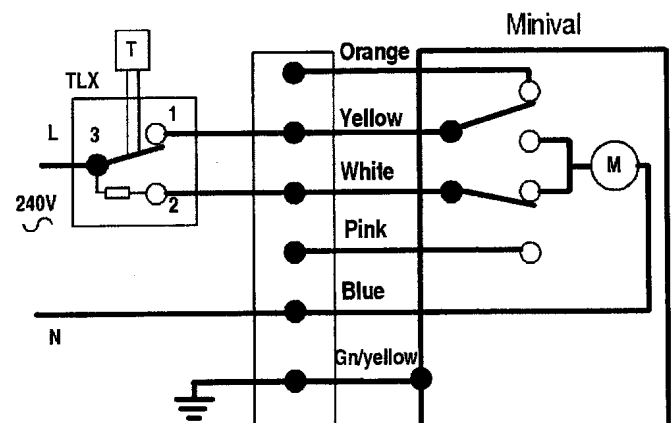
Heating control: Connect as diagram shown.
 Cooling control: Connect white wire to terminal 1 of thermostat, and yellow to terminal 2 of thermostat.

MOTORS MUST NOT BE CONNECTED IN PARALLEL



Suitable room thermostats TLX 2356 TLX 2910

SM 5205



WIRING

As above except Pink provides a live feed when valve is closed.

MOTORS MUST NOT BE CONNECTED IN PARALLEL

Suitable room thermostats TLX 2356 TLX 2910

SUNVIC CONTROLS LTD
 BELLSHILL ROAD, UDDINGSTON,
 GLASGOW G71 6NP

TELEPHONE: 01698 812944
 FAX: 01698 813637
 TECHNICAL HELPLINE: 01689 810945

In line with a policy of continuous product development, Sunvic Controls Ltd. Reserve the right to change the specification, design and materials of products without prior notice.